

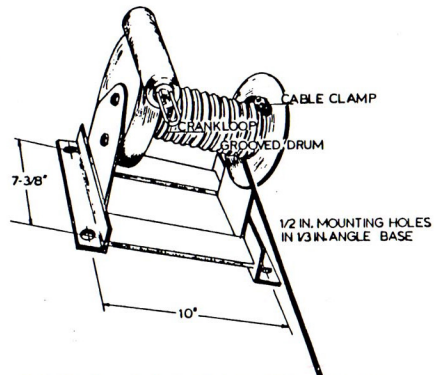
ELECTRIC WINCH DATA

SINGLE PHASE INSTANT REVERSE 1/3 HP 1625 RPM MOTOR
 THERM. PROTECTED WITH 30MIN. DELAY OVERLOAD (RESET)
 115V 4.4-4.7 AMPS - BELT DRIVEN - 50 TO 1 SPEED REDUCER
 DIRECT CONNECTION TO DRUM SHAFT - BUILT IN LIMIT SWITCHES
 FOR BOTH DIRECTIONS - UNIT SUPPLIED WITH MOMENTARY
 KEY SWITCH - TO ACCOMMODATE 2 IN. BY 4 IN. WALL BOX - AND
 (SAFETY GUARD - OPTIONAL)
 WEIGHT 45.36 KG. (100 LBS)

ELECTRIC WINCH NO. E 50

VIKING ALEXANDER METAL PROD. LTD.
 1661 EAST HASTINGS VANCOUVER, B.C.

MANUAL WINCH 40 TO 1 RATIO (NO. 40W)



THIS WINCH IS A COMPLETE ASSEMBLY ON A EASY TO USE MOUNTING FRAME. IT HAS A 40 TO 1 RATIO WORMGEAR AND IS ENGINEERED TO LAST. THE CRANK LOOP IS DETACHABLE FOR REPLACEMENT. IT COMES WITH A BUILT IN CABLE CLAMP FOR 3/16" STEEL CABLE. THIS UNIT IS TO BE OPERATED WITH A CRANK HAND WINDER.

VIKING ALEXANDER METAL PROD. LTD.
 1661 EAST HASTINGS VANCOUVER, B.C.